



Hydraulic tyre changer with Automatic Contactless Smart system.  
Efficient. Sturdy. Fast.

**ERLINGHO**  
**Master**  
**FORCE**



Since 2001, when it revolutionised the tyre changer industry, Corghi has been able to confirm its innovator role over the years. Following the vision of the first Master with a view to the needs of tomorrow, Corghi renews the concept of tyre changer, confirming its position as innovation leader in equipment for tyre technicians, workshops and body shops. We have a clear objective: to continue the evolution of tyre changers by providing our customers with the best technology ever.

Corghi DNA offers technological previews, innovation and perfect solutions for professionals in the field.

With Master models, Corghi has been offering the highest expression of tyre demounting technology for more than twenty years. Here excellence is achieved, a reality that sees past, present and future always aimed at the forefront of equipment for specialists.

# BRINGING FORCE Master



Corghi is proud to offer you its **MASTER FORCE!** The perfect equipment for professionals wishing to invest in their future.

Its innovative vocation, supported by an **EXCLUSIVE TECHNOLOGY**, makes it **the ideal partner for those who do not accept compromises** and want to offer a **best-in-class service and image**.

Thanks to the new features of **MASTER FORCE** your **productivity and efficiency will increase**.





## 1 SMART CORGHI SYSTEM

The core of **MASTER FORCE** is still the **Smart Corghi System**, here brought to a higher level in terms of quality and performance. The brand new tool unit is able to **eliminate any tension** between tyre and rim, even on the most demanding **low profile, runflat and UHP tyres**.

The Smart Corghi System has always been synonymous with Master. Today it is even more so, as we have increased precision thanks to the **hydraulic synchronised movements and the redesigned tool unit**.



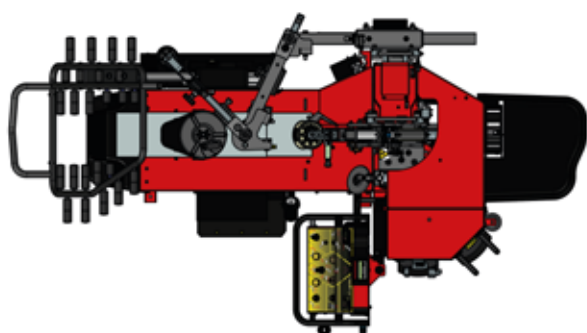
## 2 CONTACTLESS TECHNOLOGY

With the new **MASTER FORCE**, Corghi offers a tyre changer capable of **enhancing Contactless technology**. Once again, we confirm to be the only ones to **preserve the rim and NEVER touch it**.

## 3 REDUCED OVERALL DIMENSIONS

We managed to **reduce the overall dimensions** of the tyre changer to ensure that it can be **easily positioned anywhere**.

The **MASTER FORCE** is just slightly wider than a traditional tyre changer. Thanks to an innovative design, this new tyre changer requires **less than 1.4 m**. It needs a **working area of less than 3 m<sup>2</sup>**.



## 4 HYDRAULIC DRIVES



The new **MASTER FORCE** anticipates the needs by combining the **strength of hydraulic drives, total protection** of rims and tyres and a **working speed** never seen before.



### ▷ Working speed

In addition to offering remarkable force, the combined use of hydraulic and pneumatic drives has optimised the work cycle. The result is a lower working time in the tyre-changing cycle than any other tyre changer.

The great innovation of **hydraulic movements** offers ease and speed of use. At the same

time, **maximum precision** in movements makes Master Force a versatile equipment perfect for daily use, even during working peaks.

### ▷ Automatic wheel demounting



Master Force allows to use the tyre changer through the **automatic work cycle**. The management software improvement, thanks to Corghi's experience, is aimed at **preserving rims and tyres**.

The automatic work cycles as well as use in manual mode have been improved

with a **reduction of work times by 20%** (referred to the change of one tyre). **2 work cycles are available: Normal-RFT and Soft**. From this setting, it is immediately clear how intuitive the use of Master Force will be.



### ▷ Bead breaking with automatic lubrication

Proper tyre lubrication is an essential operation. Thanks to the **spray dosing units** next to the bead breaker discs, this major activity is carried out by the machine in a very effective way. Without waste and without soiling, **the right amount of lubricant is dosed**. This automation allows the operator to carry out other tasks while **Master Force works autonomously**. Not available on standard version.





### ▷ 2 in 1 bead pressing tool

Brand new Corghi technology, the **2 in 1 bead pressing tool**.

With solid and sturdy structure, always aligned with the wheel centre thanks to the **electronic actuator that drives it**. When needed, it is already in place!

Possibility to use it **one roller only** and **in tandem** with the **second roller** when a rigid tyre requires it.

The bead pressing tool enhances the standard equipment.



### ▷ Latest generation tool unit

This is the core of Master Force. The work tools have been fully redesigned and revolutionised with a brand new concept. A concentrate of Corghi innovation.

- ✓ Now all tools are positioned on the **same working axis**, in order to achieve the most absolute performance in terms of efficiency and preservation of rim and tyre.
- ✓ The demounting tool has been **thinned** to reduce tensions as much as possible.
- ✓ The bead breaker disc is aligned and reaches the working position through a **quick activation**. Likewise, it will return to its rest position at the end of bead breaking.
- ✓ A great innovation is the presence of the **bead pressing tool** next to the tools. It will be very helpful during the work phases.





### ▷ Dual-function wheel lift

This feature is among the peculiarities that cannot be missing on a top-level machine. Its daily help is tangible. Its dual-function **operation ensures first the lifting and in quick succession the accurate positioning of the wheel**, ready to be clamped.

**The wheel lift is always a standard equipment.**



### ▷ SMART wheel clamping

A safe wheel clamping is an essential part of the work to avoid unexpected wheel movements. Thanks to the **electromechanical clamping with controlled torque**, it is possible to always achieve the right clamping force. This ensures a **safe standard for every type of rim**.



### ▷ Dynamic data acquisition

The only data required for automatic car positioning is the **rim size**. The rim size is entered in **Touchscreen mode** by selecting the diameter on the new 18.5" wide monitor. The wheel **width is then acquired through the bead breaker discs**, a new Corghi evolution, in the automatic **demounting procedure**.





▷ **Ergonomic and adjustable console**

An in-depth study led to the design of this **new ergonomic and functional control console**. The main controls have the same positions and functions as the already known Master Code, so as to facilitate switching to the new Master Force.

We offer the possibility to position it according to your work habits. This new console will make it even easier to work with this best-in-class equipment.

The automatic **INFLATRON** inflation system is available in the **FULL** version.



▷ **Wide touchscreen monitor**

Another major innovation is the **18.5" wide touchscreen monitor**. Excellent view of all work steps. Very useful even when the camera is present for viewing the lower operations of the bead breaker disc.

▷ **Camera (View and Full versions)**

The choice of this accessory will allow working comfortably and quickly even when bead breaking of the lower tyre edge is required. The view on the new 18.5" wide screen is very comfortable.



▷ **Storage compartments**

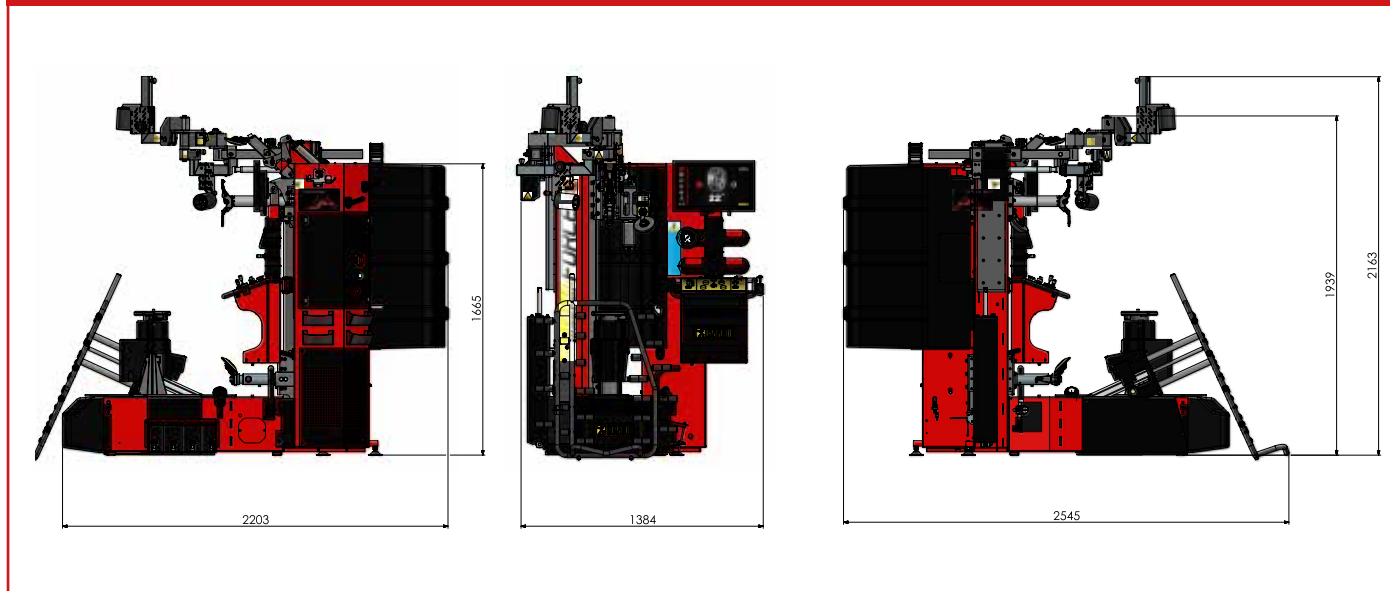
Storage compartments prove always very useful. The control console has also been designed to have everything you need at hand.

<b>Versions - Configurations</b>	<b>Bead pressing tool</b>	<b>Lift</b>	<b>Lubricator</b>	<b>Camera</b>	<b>Camera + Inflatron</b>
<b>"Standard" Master FORCE</b>	X	X			
<b>"Skid" Master FORCE</b>	X	X	X		
<b>"View" Master FORCE</b>	X	X	X	X	
<b>"Full" Master FORCE</b>	X	X	X	X	X

## TECHNICAL DATA

Tyre changer activation		Hydraulic - Pneumatic
Wheel size range	maximum rim diameter	from 13 to 32"
	maximum tyre diameter	1200 mm (47")
	maximum wheel width	16"
Technical features	clamping	automatic
	drive system	2-speed inverter motor
	rotation torque	1200 Nm
	rotation speed	7-20 rpm
	bead breaker force	9000 N - Hydraulic
Contactless mounting/demounting tool unit		contactless
Wheel lifting capacity		85 Kg
Power supply	1Ph electrical	230V-0.75 kW - 50Hz/60Hz
		115V-0.75 kW - 50Hz 60Hz
	working pneumatics	8÷10 bar
Weight		750 kg

## MAXIMUM OVERALL DIMENSIONS



*Passion To Innovate*

NEXION SPA - ITALY  
[www.corghi.com](http://www.corghi.com) - [info@corghi.com](mailto:info@corghi.com)

